



NATIONAL INSTITUTE OF TECHNOLOGY KARNATAKA, SURATHKAL



POST SRINIVASNAGAR, MANGALURU – 575 025

Phone: (0824) 2474 000. Fax: (0824) 2474 033/ 2474 039
E- mail: registrar@nitk.ac.in Website: <http://www.nitk.ac.in>

No. 07/ NITK/ MECH- FUR/OH-35 / 2019-20 / B4

Date: 11- 03 – 2020

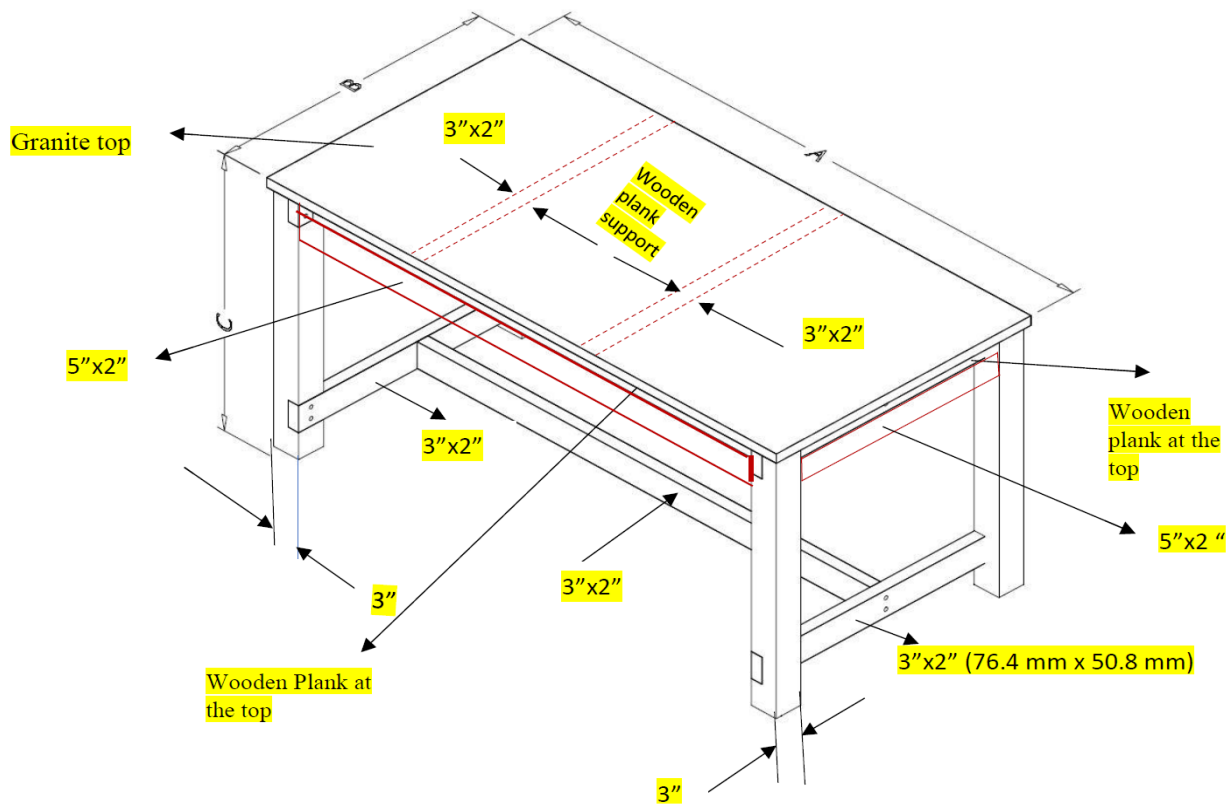
ADDENDUM - 02

Name of Work: Manufacturing, Supply and installation furniture to Mechanical Engineering Department, NITK, Surathkal

Tender Ref.No: 07 / NITK / MECH- FUR / OH-35 / 2019-20 / B4 Dated: 07.02.2020

Attention is invited to the Open Tender ref no. No. 07/ NITK/ MECH- FUR/OH-35 / 2019-20 / B4. The following changes have been highlighted below in yellow color. The below mentioned point is to be noted before quoting the same.

As existing in the Tender Document Specification	Updated in Addendum-01 Dated 03-03-2020	To be read as
Heavy Duty table: Length-1828 mm (6ft), Width (3ft), Height 853 mm (2.8 ft) with granite top. Made of finely polished (18mm) thick jet-black granite top with rounded edge	Heavy Duty Table; Length-1828 mm (6ft), Width 914.4 mm (3ft) , Height 853 mm (2.8 ft) with granite top with rounded edge	Heavy Duty Table: Made by First Class Mahagony Wood (Swietenia Maerophylla) Length – 1828 mm (6ft), Width 914.4 mm (3ft), Height 853 mm (2.8 ft) with granite Top, made of finely polished (18 mm) thick jet-black Granite top with rounded edge. Detailed drawing is given in Figure 1



A	1828 mm (6ft)
B	914.4 mm (3ft)
C	853 mm (2.8ft)
Thickness of Wooden Plank at the top	25.4 mm (1 inch)
Granite Top, made of finely polished thick jet-black Granite top with rounded edge	18 mm (0.059 ft)

Figure 1: Heavy Duty table: Corrections highlighted in yellow color may be noted

Antivibration Table:

Antivibration table is a furniture used in Vibration lab for vibration control of lab equipment. These tables are used to provide accurate readings from various Sensitive Electronic Balances/ Instruments, as they support no vibration

Contact Person for Anti-Vibration table: Dr Saurabh Chandraker, Assistant Professor, Department of Mechanical Engineering (Contact no: 9981640044)

Email: saurabh01anizer@gmail.com

The remaining specifications and terms & conditions of the tender are remaining same.

Yours sincerely

Sd/-

REGISTRAR, NITK, Surathkal